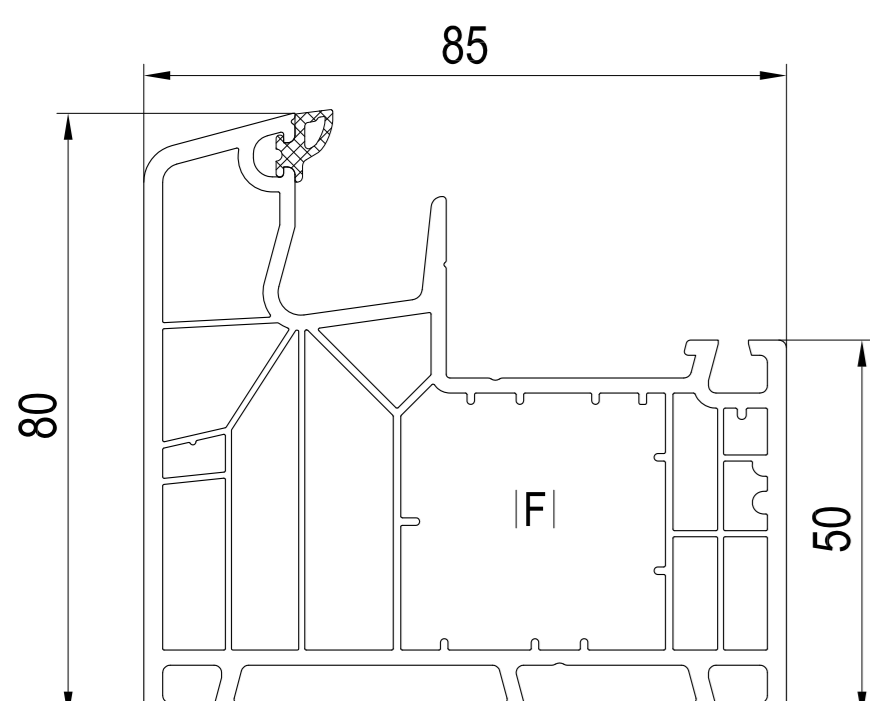
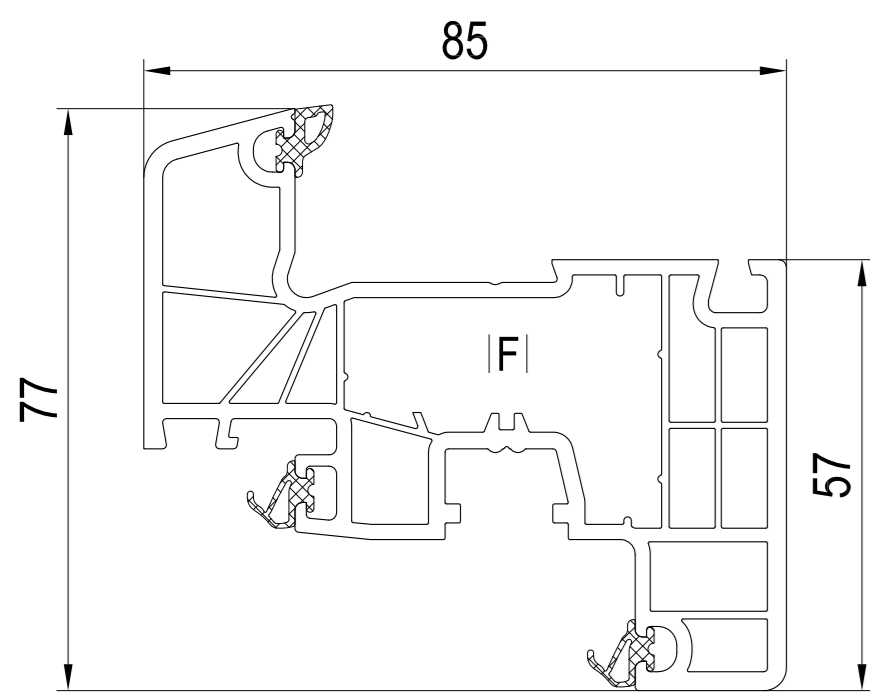


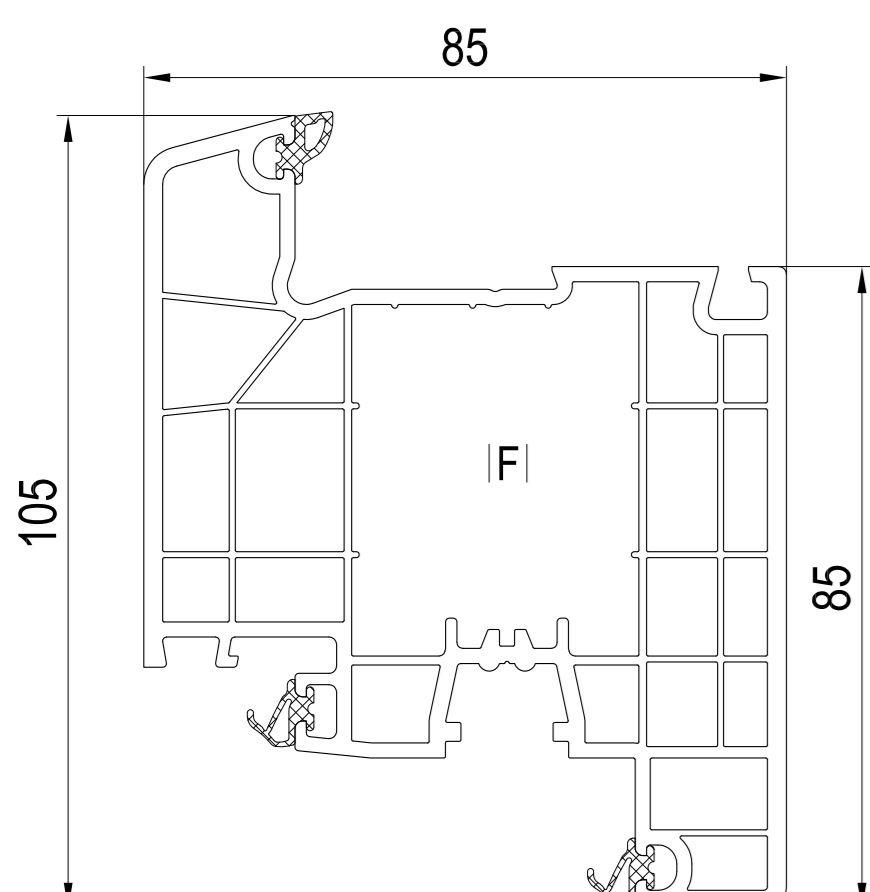
Profile główne
Classic-line (CL)



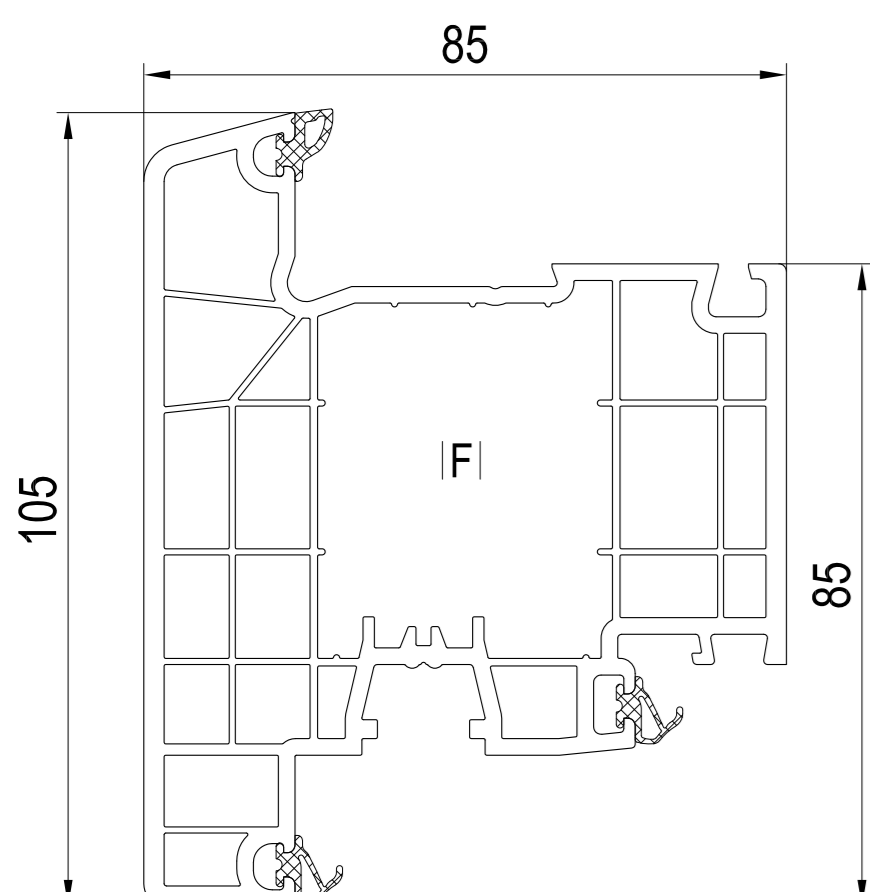
■ 180x05 (CL)
F: 229112, 229113, 239019, 239020, 250101
P: 289313
Q: 287303
U: 249058, 269060
V: 686071



■ 180x20 (CL)
F: 239019, 239020, 249025, 250102, 259002, 259025
P: 289420

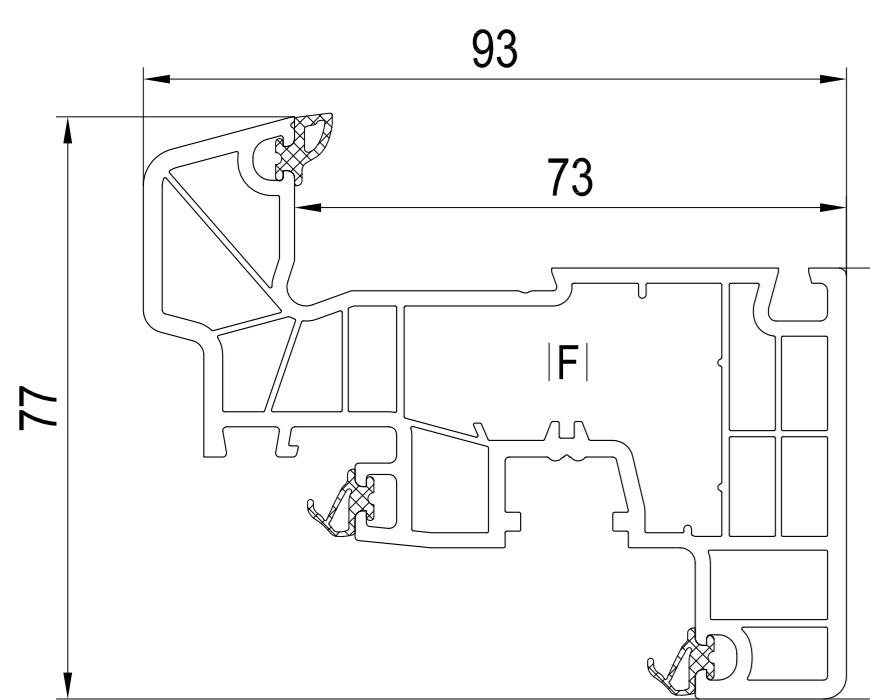


■ 180x30 (CL) TBA
F: 229114, 229115, 249195
P: 289430

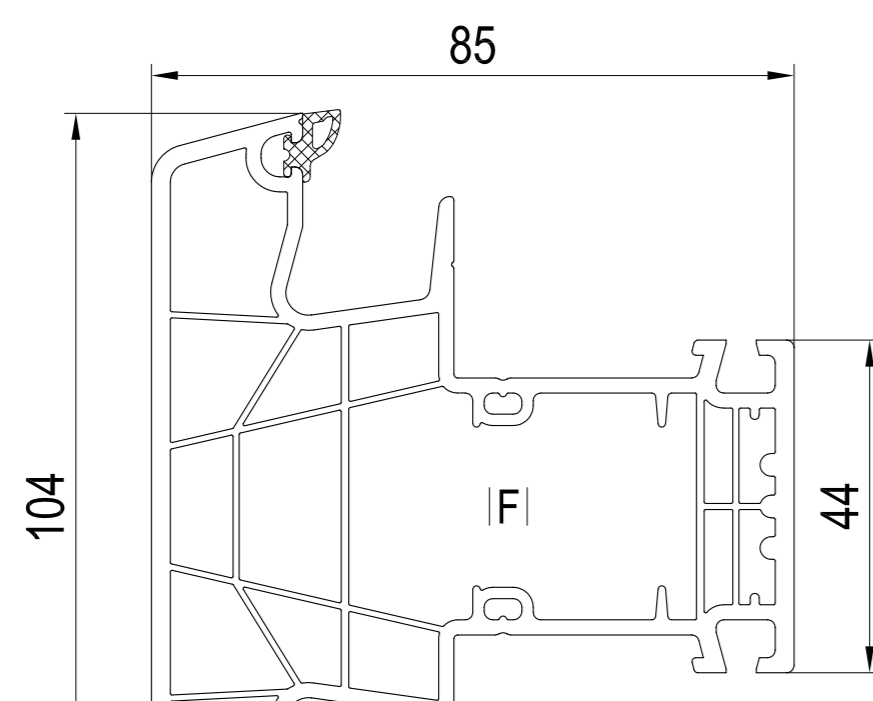


■ 180x31 (CL) TBA
F: 229114, 229115, 249195

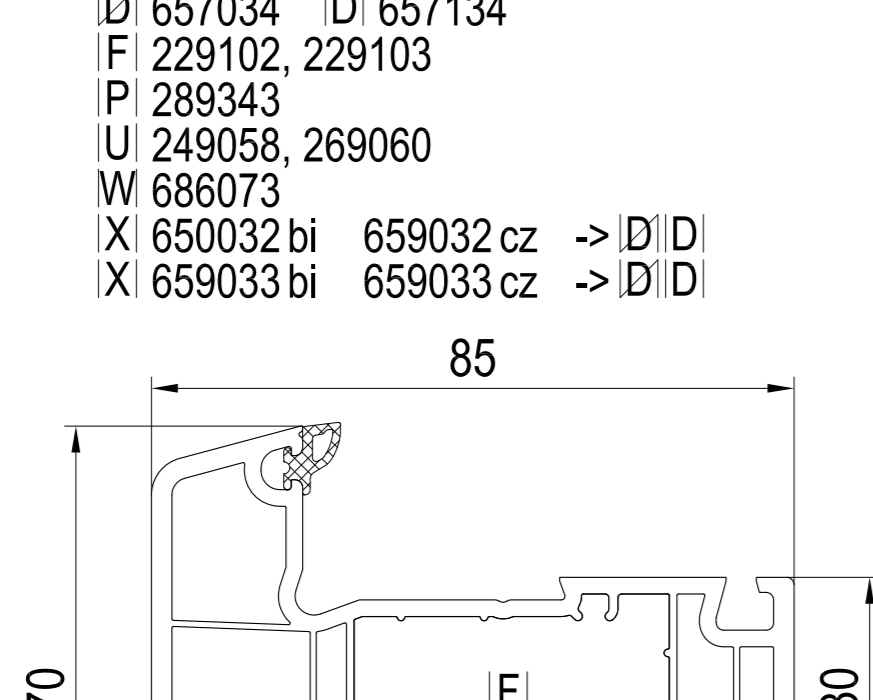
+ 8mm



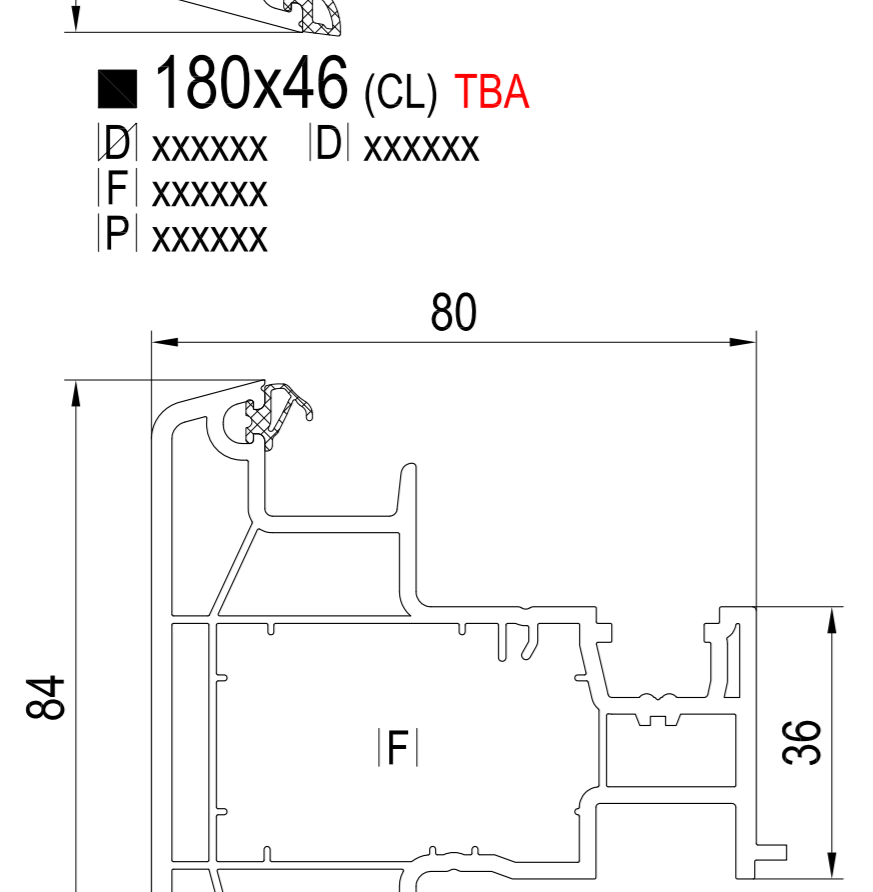
■ 180x26 (CL)
F: 239019, 239020, 249025, 250102, 259002, 259025
P: 289326



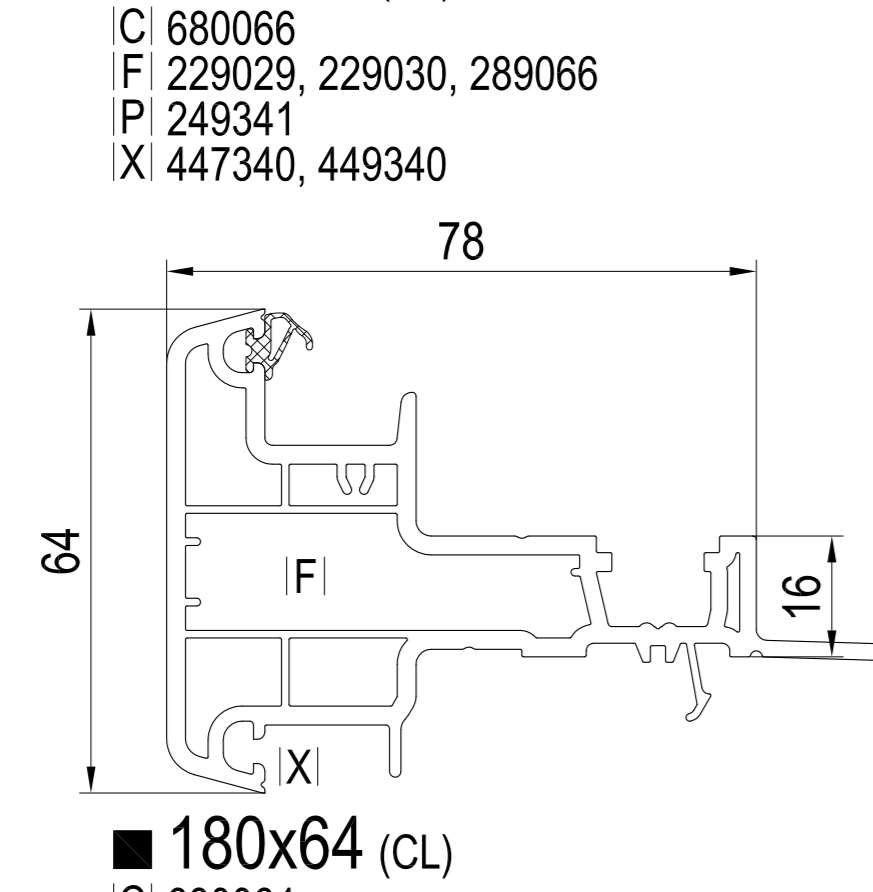
■ 180x44 (CL)
D: 657030 D: 657130
D: 657034 D: 657134
F: 229102, 229103
P: 289343
U: 249058, 269060
W: 686073
X: 650032 bi 659032 cz -> D/D
X: 659033 bi 659033 cz -> D/D



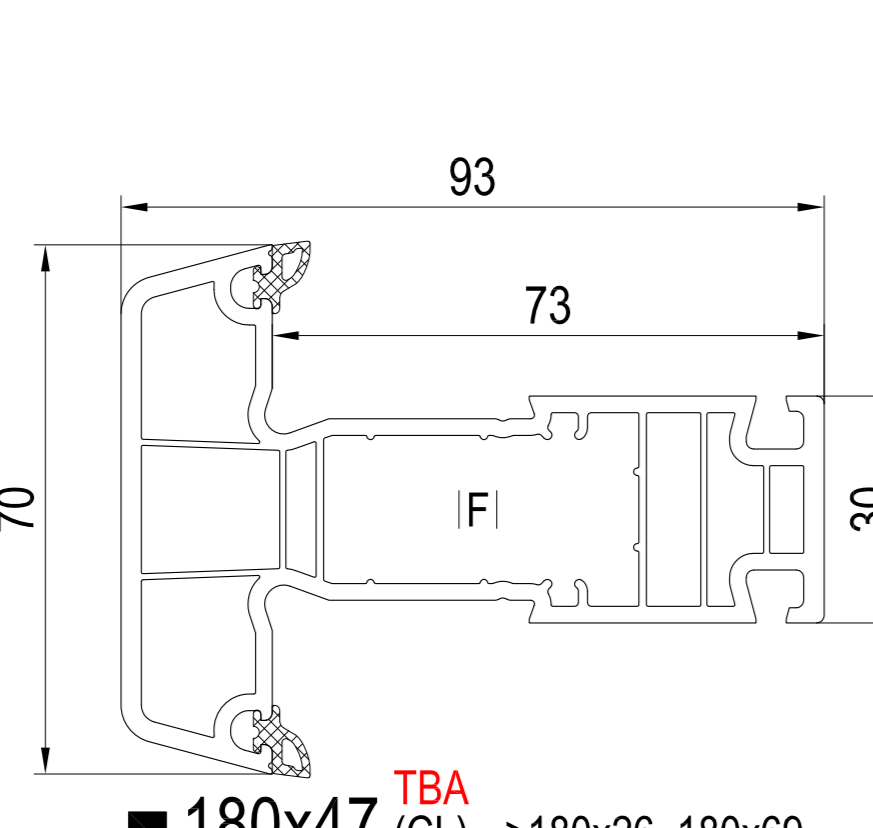
■ 180x46 (CL) TBA
D: xxxxxx D: xxxxxx
F: xxxxxx
P: xxxxxx



■ 180x66 (CL) TBA
C: 680066
F: 229029, 229030, 289066
P: 249341
X: 447340, 449340

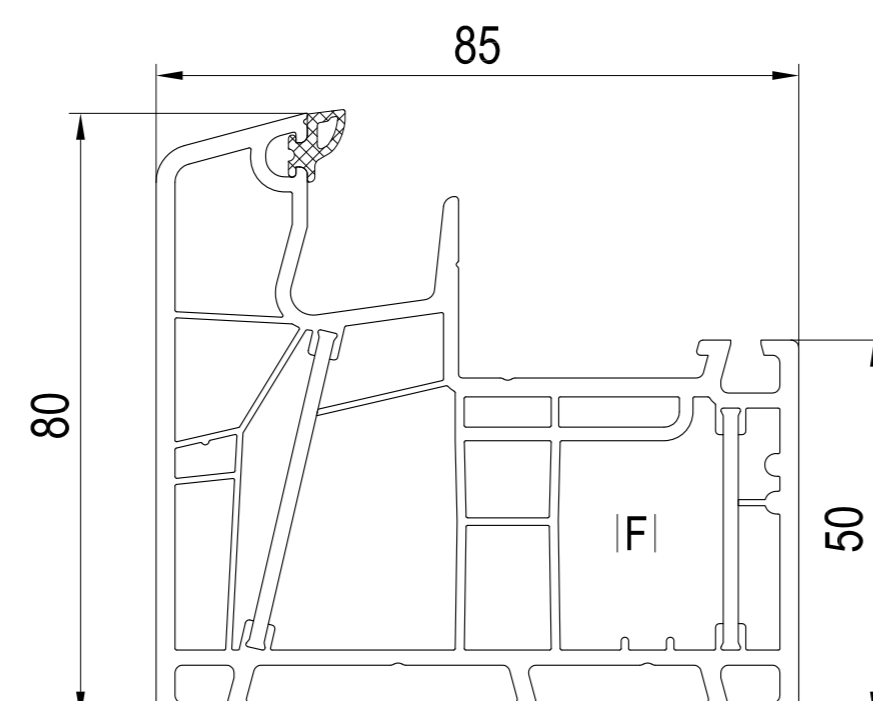


■ 180x64 (CL)
C: 680064
F: 229063
P: 259365
X: 447340, 449340

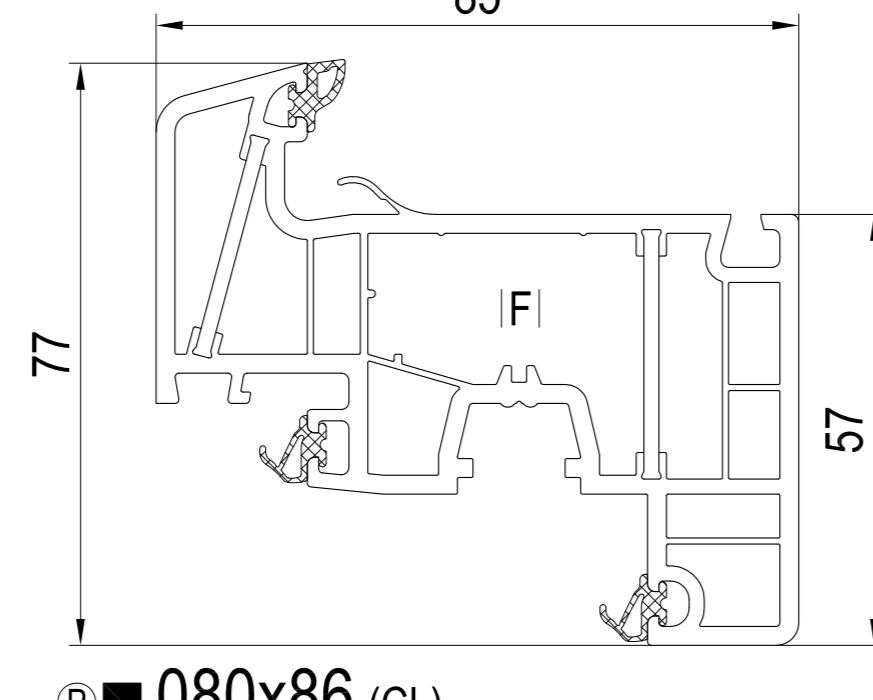


■ 180x47 (CL) TBA
D: xxxxxx D: xxxxxx
F: xxxxxx
P: xxxxxx

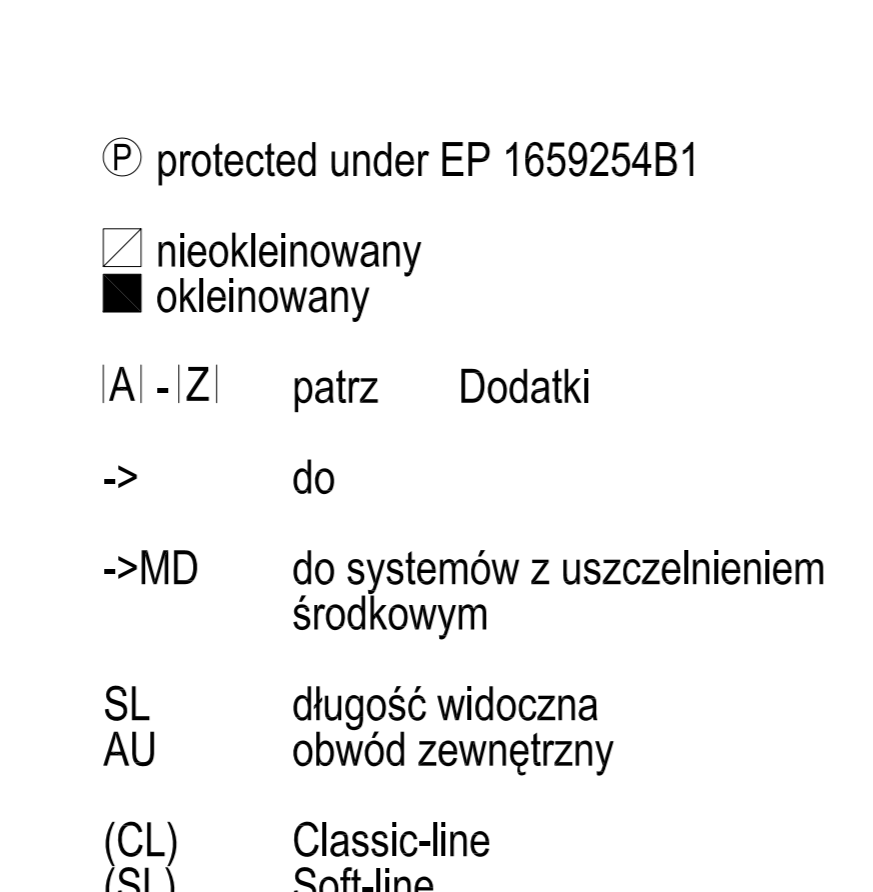
powerdur inside



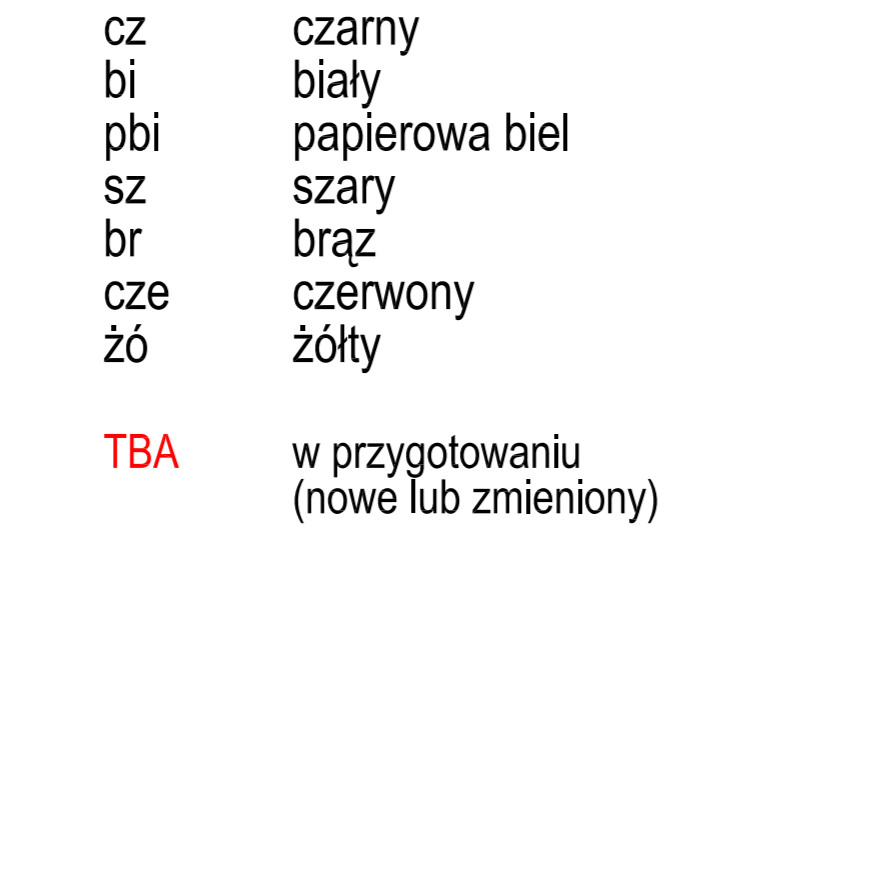
■ 080x05 (CL)
F: 229117, 229119
P: 289313
Q: 287303
U: 249058, 269060
V: 686071



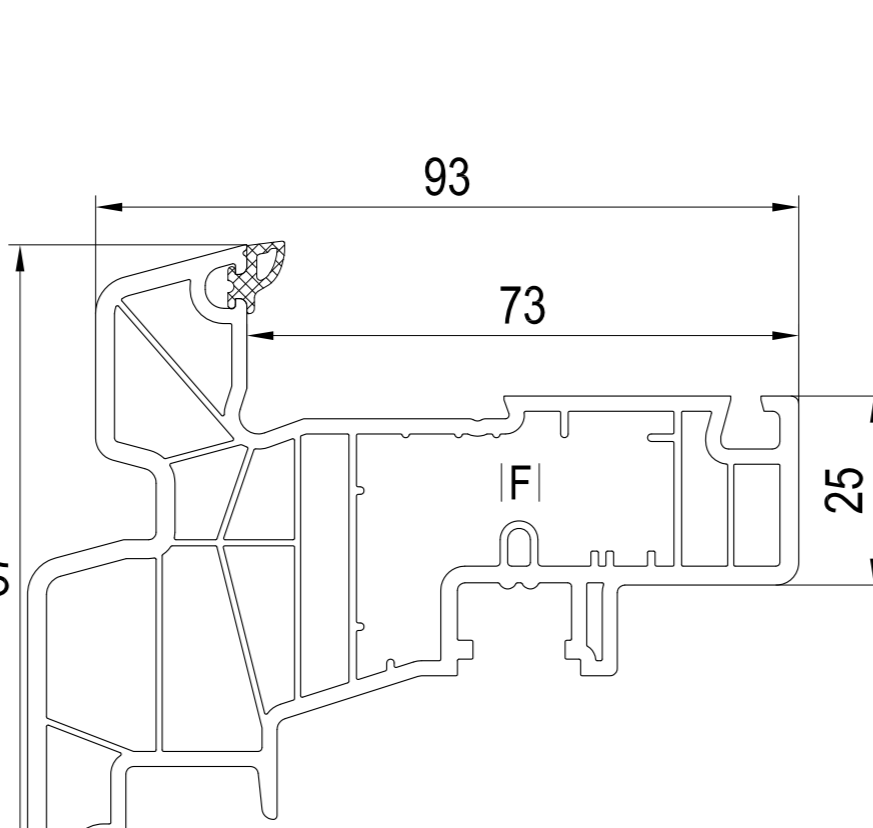
■ 080x86 (CL)
F: 239019, 239020, 250102
P: 289420



■ 180x68 (CL) TBA
C: 680068
F: 229029, 229030, 289068
P: 249341
X: 447340, 449340

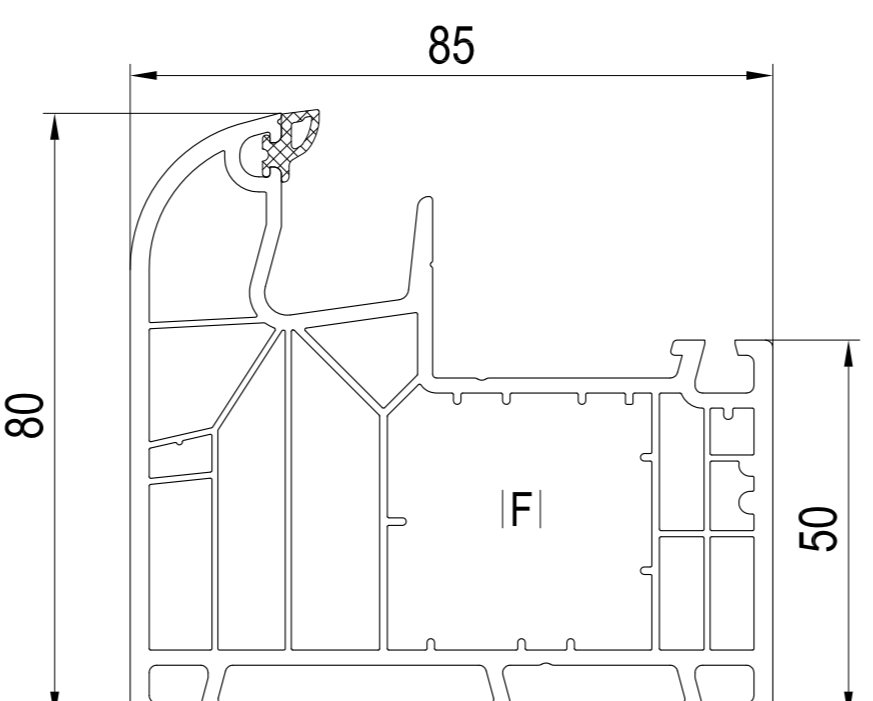


■ 180x69 (CL) TBA
C: 680069
F: 229063
P: 259365
X: 447340, 449340

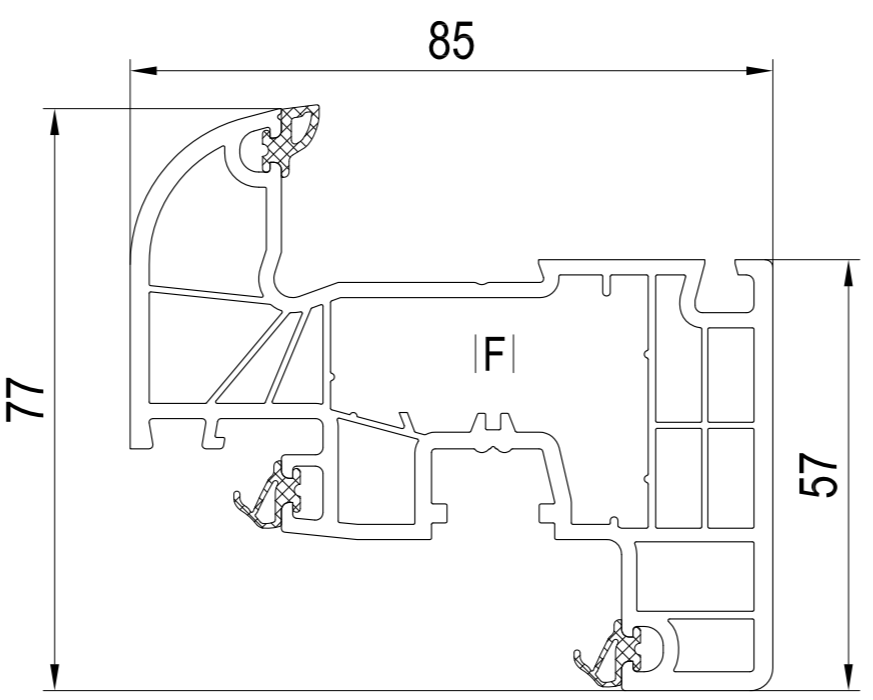


■ 180x69 (CL) TBA
C: 680029
F: 239019, 239020, 249025, 259002, 259025
P: 289369

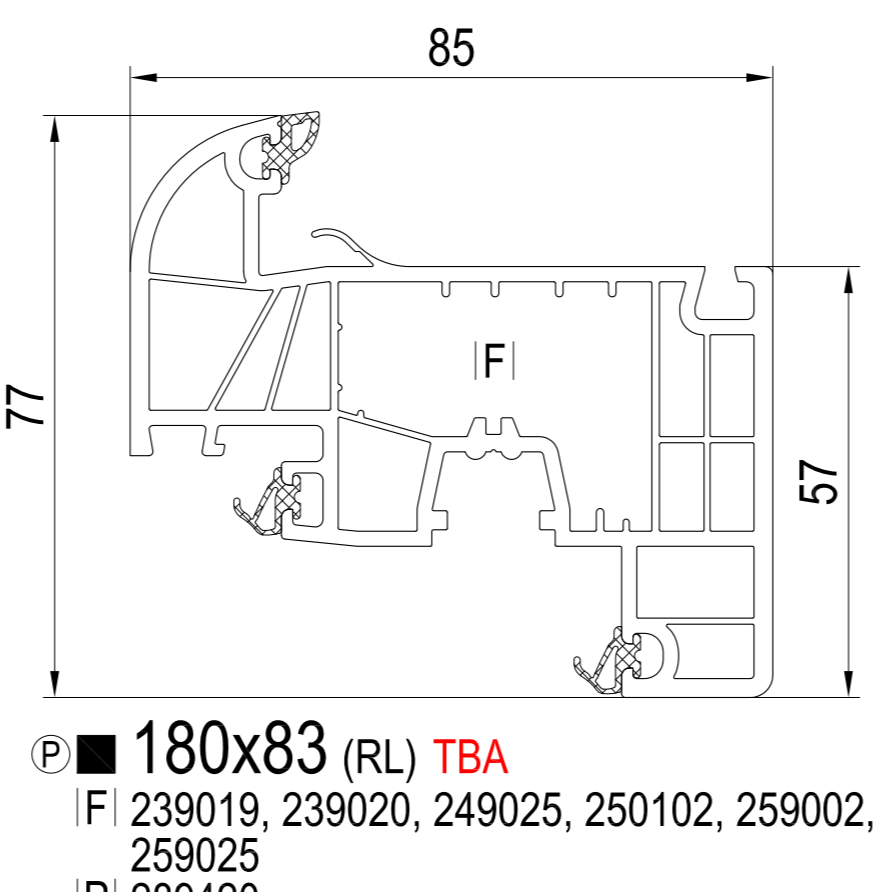
Profile główne
Round-line (RL)



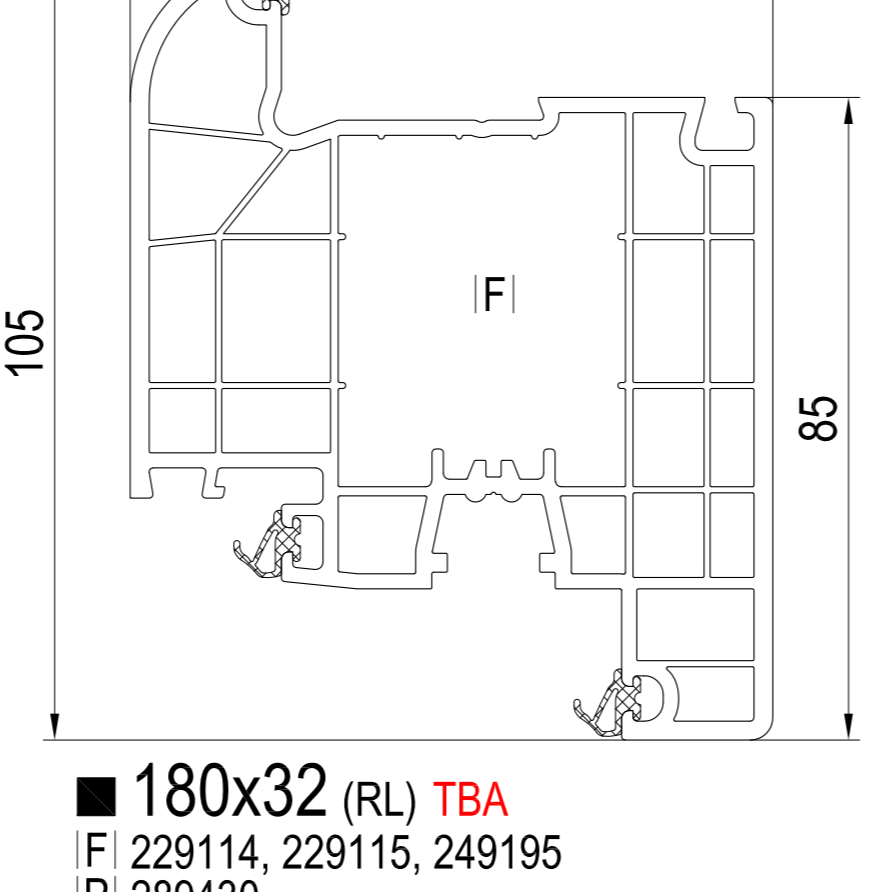
■ 180x03 (RL) TBA
F: 229112, 229113, 239019, 239020, 250101
P: 289313, 289413
Q: 287300
U: 249058, 269060
V: 686070



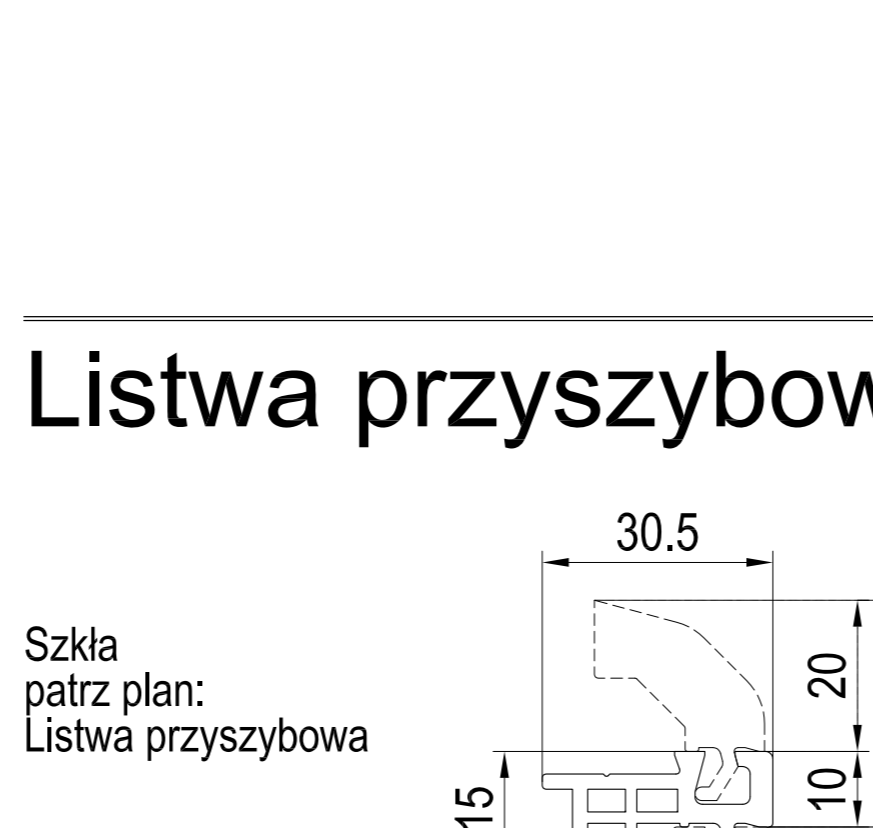
■ 180x22 (RL) TBA
F: 239019, 239020, 249025, 250102, 259002, 259025
P: 289420



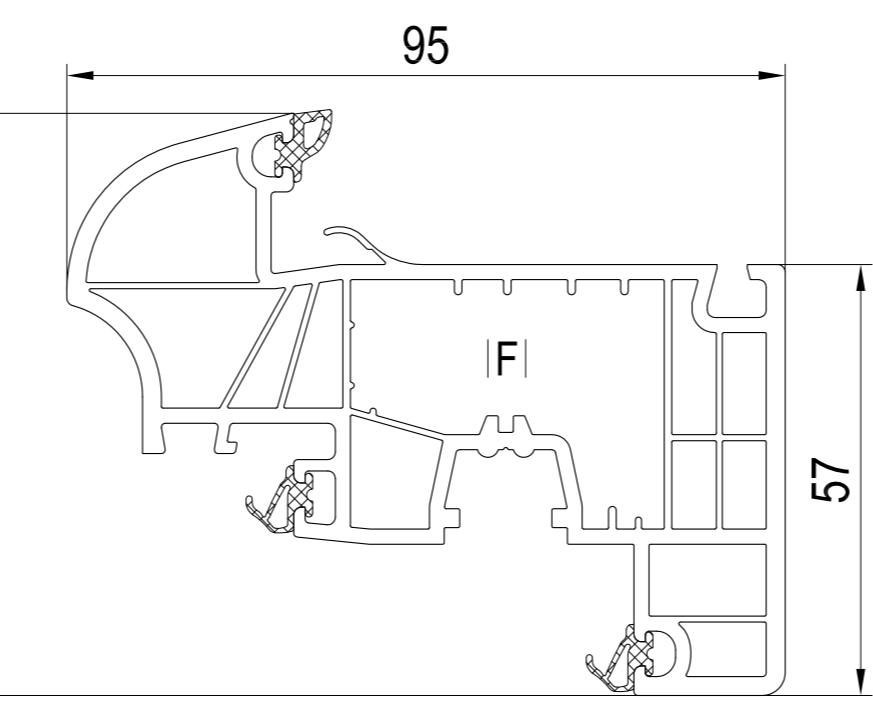
■ 180x83 (RL) TBA
F: 239019, 239020, 249025, 250102, 259002, 259025
P: 289420



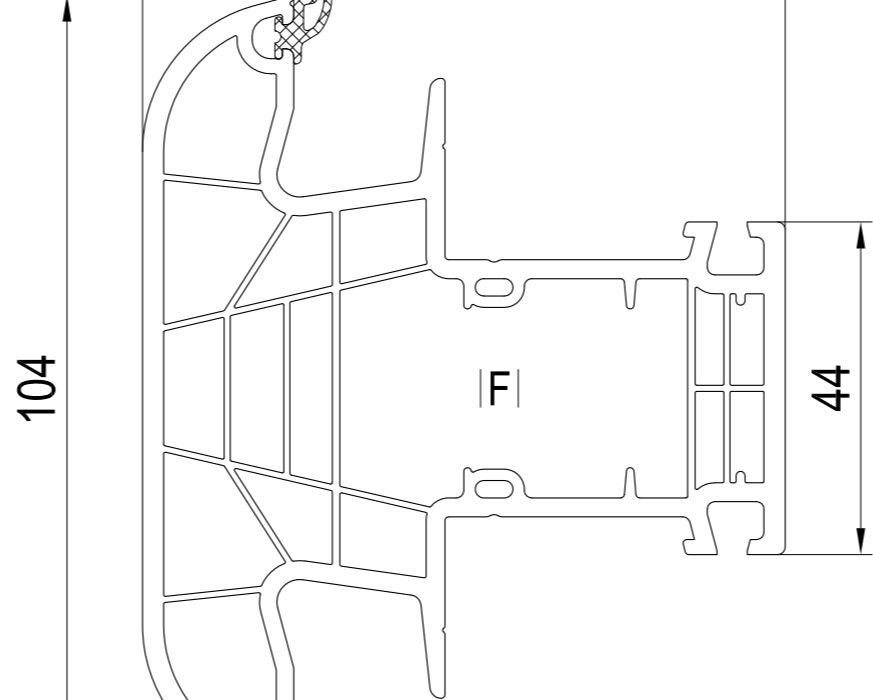
■ 180x32 (RL) TBA
F: 229114, 229115, 249195
P: 289430



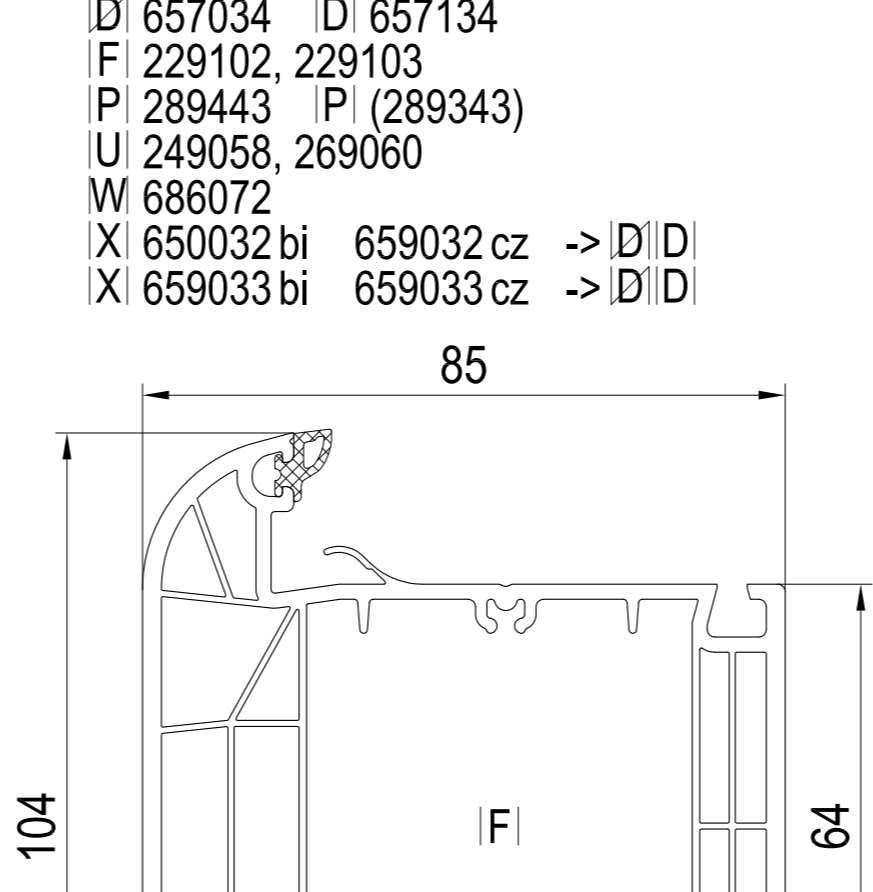
■ 180x65 (RL)
C: 685145 D: -
F: 229135
P: 289343, 289443
X: 447340, 449340



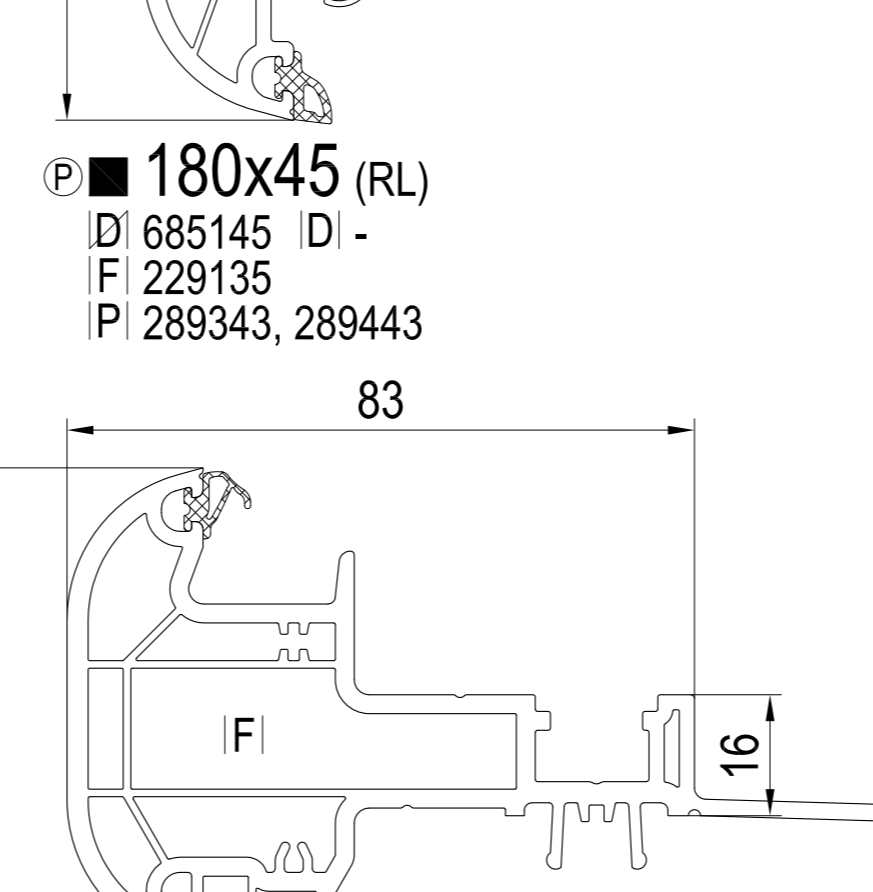
■ 180x85 (RL) TBA
F: 239019, 239020, 249025, 250102, 259002, 259025
P: 289485



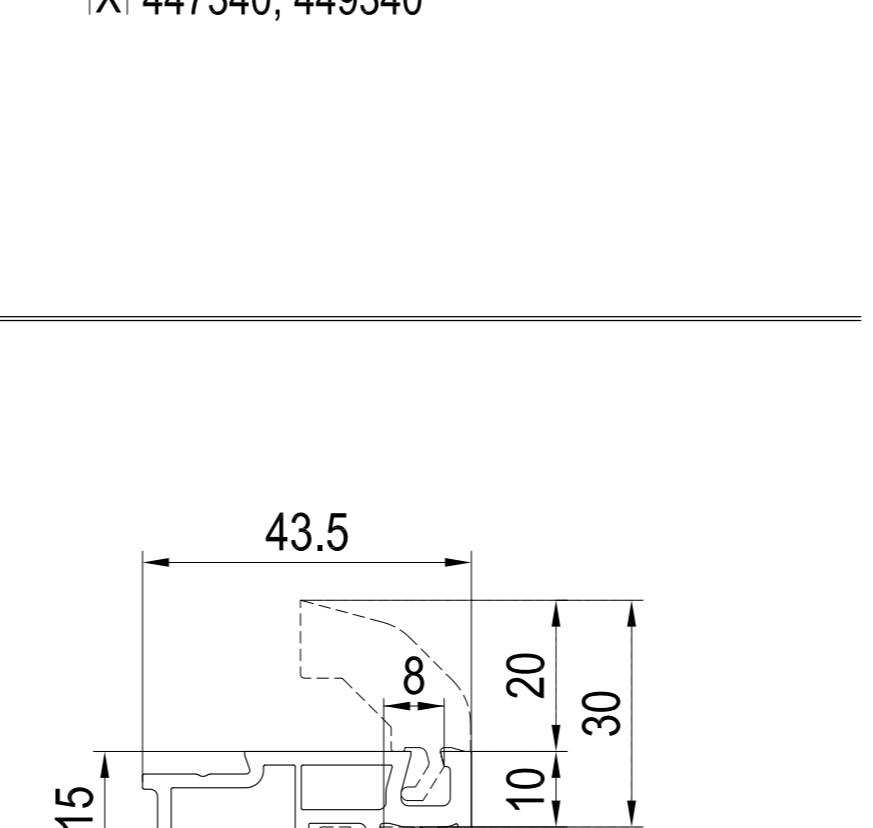
■ 180x43 (RL)
D: 657030 D: 657130
D: 657034 D: 657134
F: 229102, 229103
P: 289443 P: (289343)
U: 249058, 269060
W: 686072
X: 650032 bi 659032 cz -> D/D
X: 659033 bi 659033 cz -> D/D



■ 180x45 (RL)
D: 685145 D: -
F: 229135
P: 289343, 289443
X: 447340, 449340

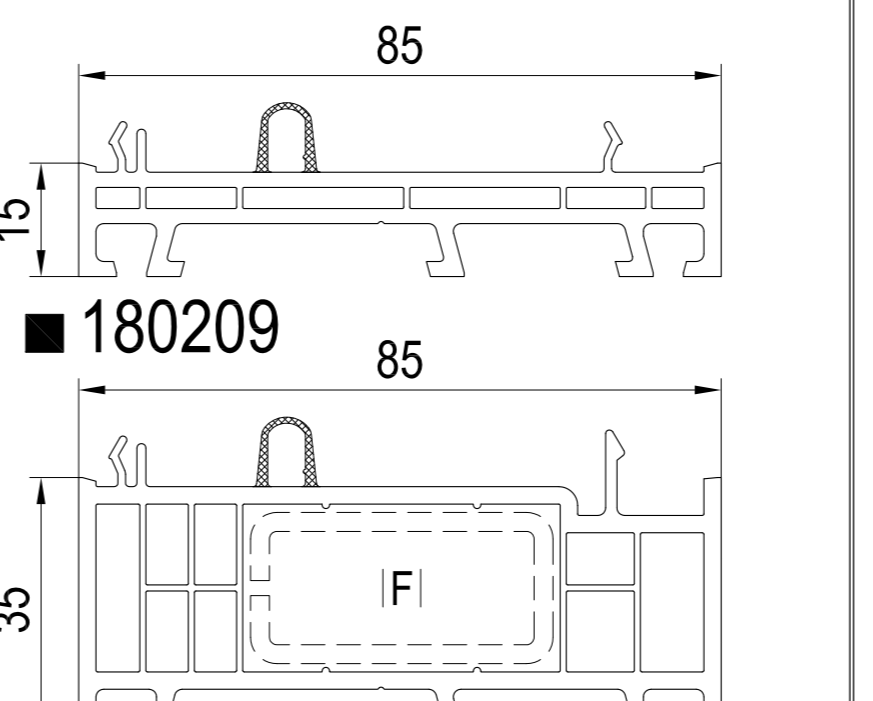


■ 140248 90°
F: 229040
X: 449200

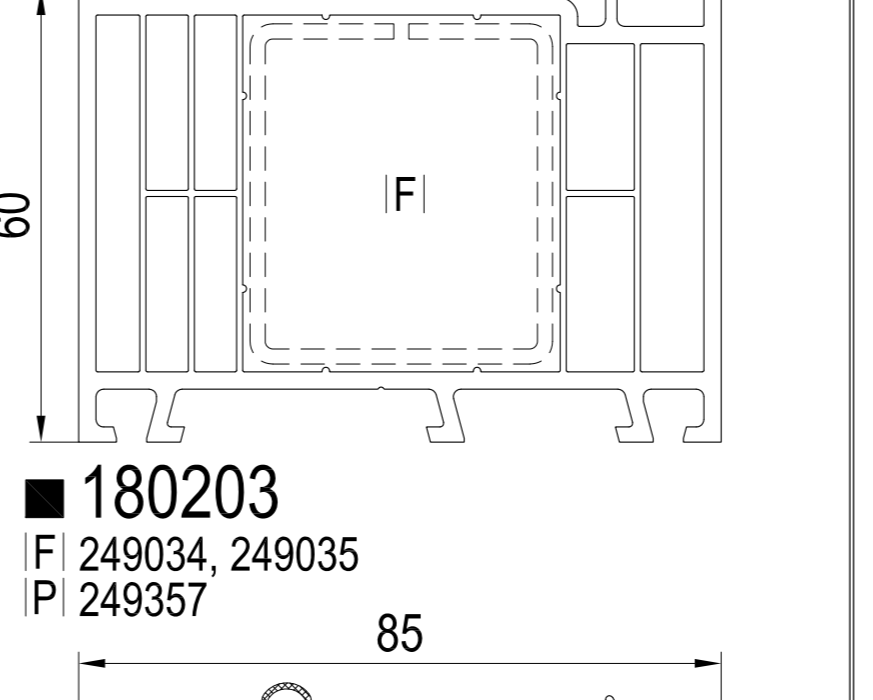


■ 120116
F: 249242

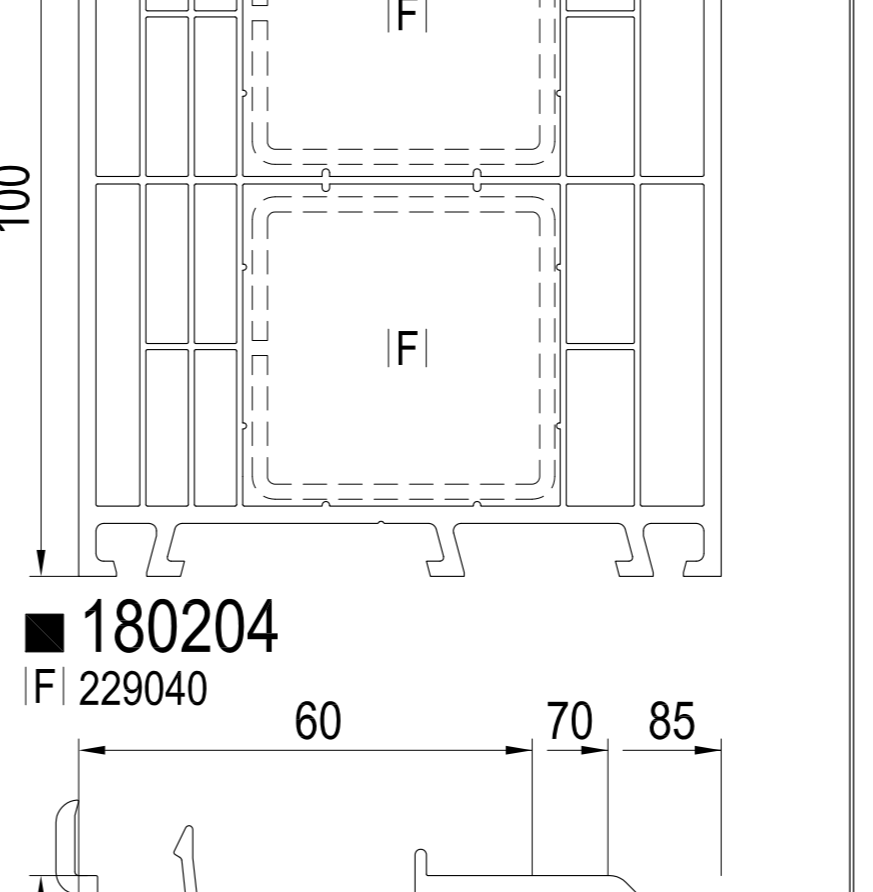
Profile
dodatkowe



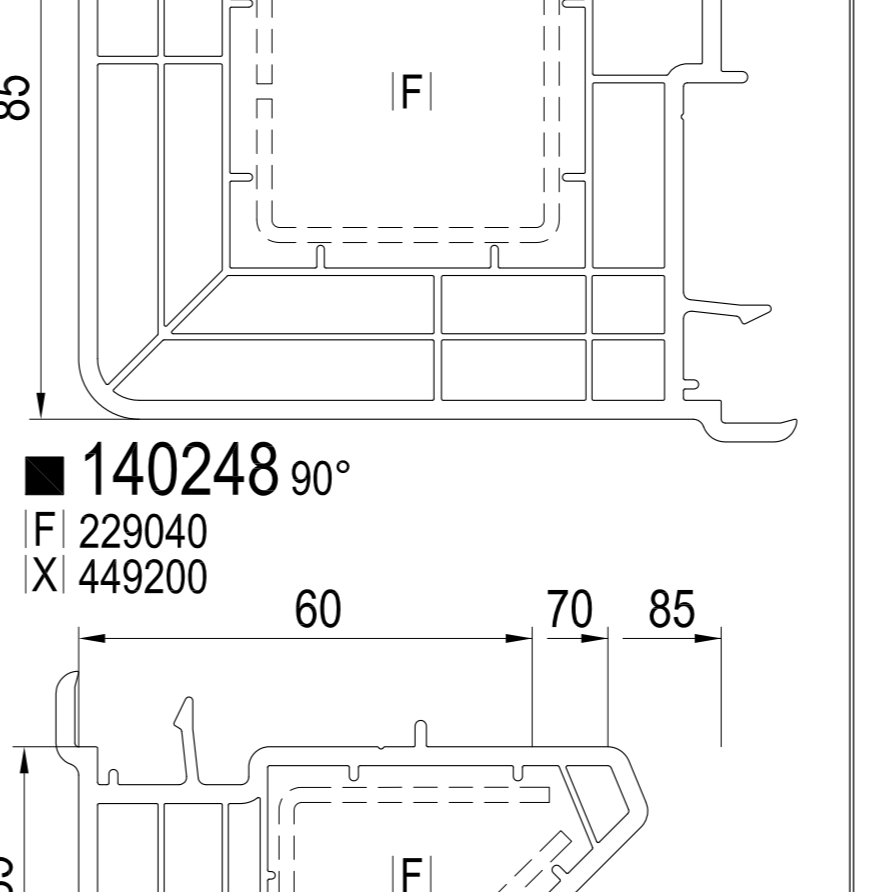
■ 180209
F: 299922
P: 249357



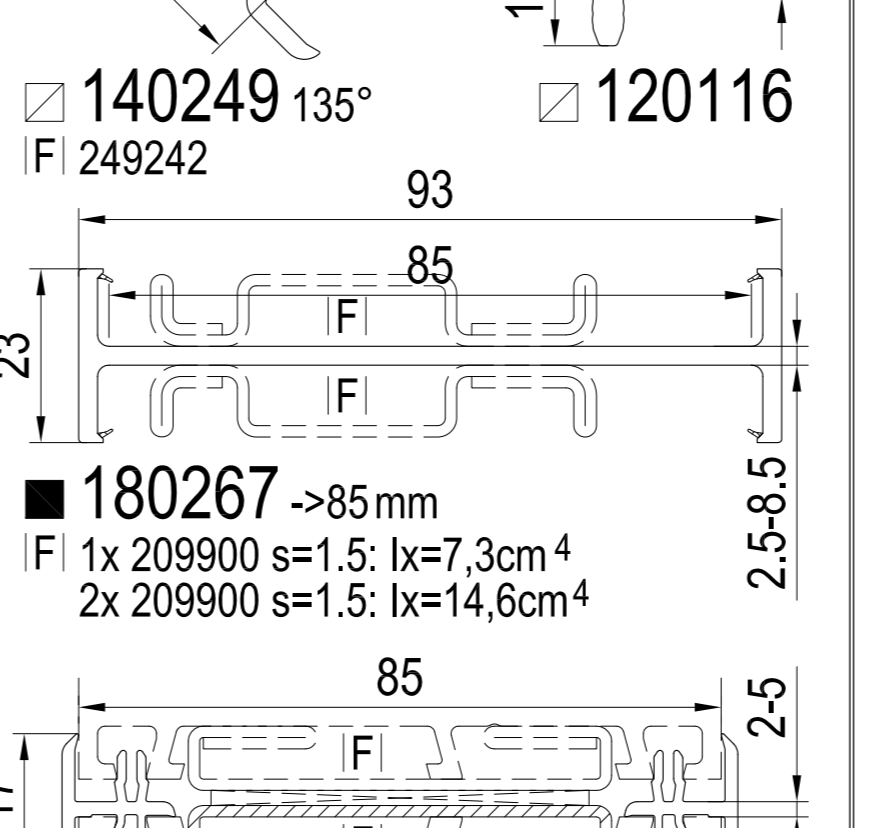
■ 180201
F: 299922
P: 249357



■ 180203
F: 249034, 249035
P: 249357



■ 180204
F: 229040



■ 140249 135°
F: 249242

Dodatki

